



climacube™
COMPACT

Drives heat up and energy cost down

REVOLUTIONARY
ENERGY SAVING
WATER HEATING SYSTEMS

SPAS | HOT TUBS | SWIMSPAS | SWIMMING POOLS



ENERGY SAVING TECHNOLOGY

Climacube design, develop and produce ground breaking, energy efficient Hot Tub, Spa, Swimspa and Swimming Pool Water Heating Systems. Utilising patented thermodynamic technology that dramatically reduces the power consumption required to heat or maintain heat over conventional heating systems. Saving up to 60% time on heat up and up to 80% less power. Saving customers time, energy and money, while significantly reducing their carbon footprint.

With hundreds of installations across the UK, our landmark Climacube products have been recognised by the industry, winning the converted UK Pool & Spa Awards 'Spa Product of the Year 2019' and 'Energy Efficient Product of the Year 2019'. Providing a ringing endorsement of our revolutionary Climacube water heating technology and its money saving benefits.

RELIABLE THERMODYNAMIC WATER HEATING SOLUTIONS

The Climacube range has undergone rigorous evaluation throughout the design and production process at our purpose built factory-testing facility. Which can accurately produce a working environment temperature range of 40 degrees to -25 degrees if required. By replicating accurate working conditions ensures our brands are market leaders. Solving any performance or reliability issues for our customers on test rather than in situ and allows Climacube to guarantee quality with our industry leading warranties.

We believe it is this attention to detail, investment in the highest quality testing facility and production control procedures, ensures our groundbreaking and innovative products are of the utmost quality and reliability.

REDUCES YOUR CARBON FOOTPRINT

By dramatically reducing the energy required to heat your Hot Tub, Spa, Swimspa or Swimming Pool will result in much lower power usage on heat up and continuous use, dramatically reducing the impact on the environment. The Climacube has full CE European Accreditation and A+ EPC Certification



SAVE ENERGY TIME AND MONEY

NEW, FAST, EFFICIENT, ENERGY SAVING, HOT TUB & SPA
WATER HEAT TECHNOLOGY FOR DOMESTIC CUSTOMERS



CLIMACUBE COMPACT

Our brand new Climacube Compact, Hot Tub and Spa Water Heating System are designed specifically for the domestic customer. The new Climacube Compact is easy to set up and easy to use, utilising the same revolutionary, energy and money saving technology as our hugely successful Climacube Commercial system.

The award winning heat technology within the Climacube Compact works off a standard 13 supply and as a result requires no costly heating elements or the need for a separate power supply. The new Climacube Compact can be either installed from new or retro fitted to any contemporary Hot Tub or Spa. In test results against current conventional water heating systems the Climacube Compact saved on average just under 60% less time to heat up a Hot Tub to 36 degrees, and a massive 80% reduction in energy cost, which is great news for customers energy bills and the environment.



ENERGY SAVING
TECHNOLOGY



SAVES ENERGY, TIME AND
MONEY

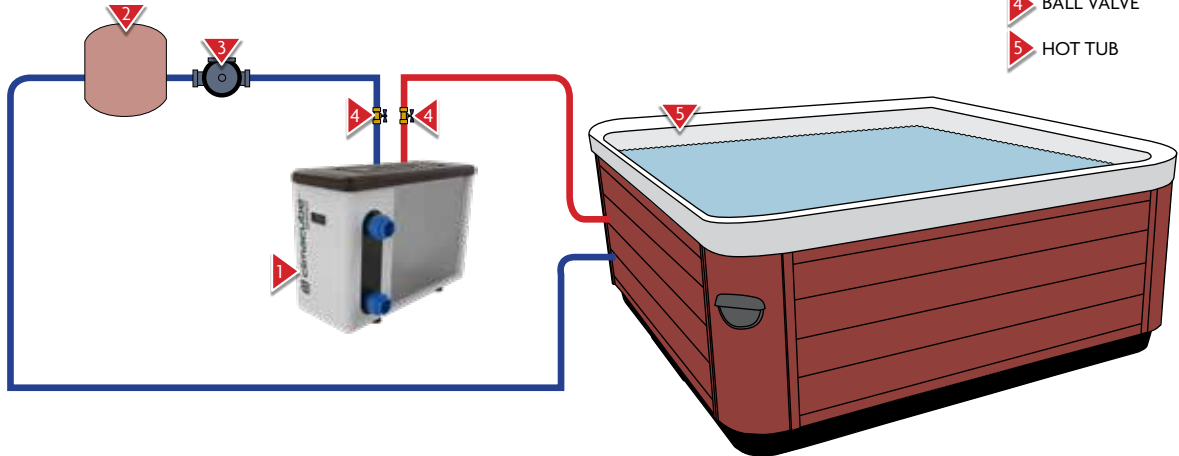


REDUCES YOUR CARBON
FOOTPRINT



NEW AND RETRO FIT
INSTALLATION OPTIONS

- 1 CLIMACUBE
- 2 FILTER
- 3 PUMP
- 4 BALL VALVE
- 5 HOT TUB



TECHNICAL FEATURES

Model	CCB04
Nominal thermal power (1) W	4,442
Nominal input power (1) W	930
COP (1)	4,43
Nominal thermal power (2) W	5,530
Nominal input power (2) W	918
COP (2)	5,59
Minimum air temperature °C	-5
Maximum water temperature HP °C	38
Refrigerant	R410A
Power supply V/ph/Hz	230/1/50-60
Air flow m ³ /h	1600

(1) Air temperature 7 °C / Water temp. 35 °C / 60Hz

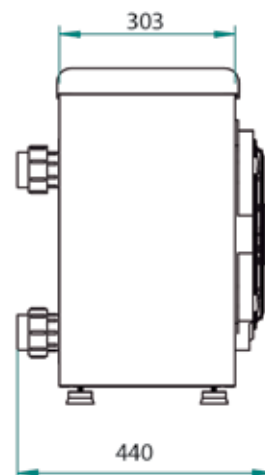
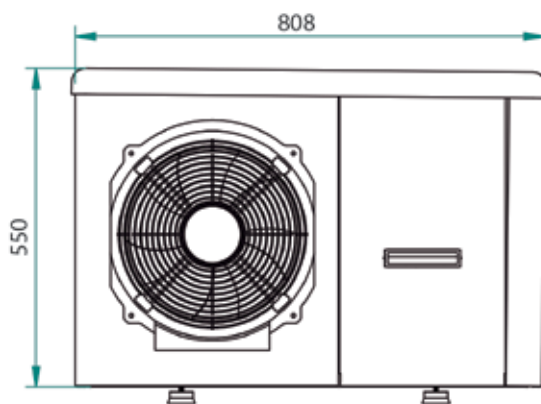
(2) Air temperature 15 °C / Water temp. 35 °C / 60Hz



ADVANCED CONTROLLED

Suitable to any SPA installation, simple to set up and easy to use. Can be controlled by the SPA electronics to achieve the maximum savings according to the customer's needs.

- Touch panel
- Intuitive and easy to use
- Anti-freeze protection
- Efficient defrosting





CLIMACUBE COMPACT PERFORMANCE DATA SHEET

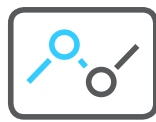
SPA SEATING CAPACITY	WATER TEMP C°	VOLUME WATER ltr	HEATING kW REQUIRED	STANDARD 3kW HEATER ELEMENT		CLIMACUBE COMPACT SYSTEM ONLY		SAVING TIME & MONEY			
				3kW IN 3kW OUT	HEATING HRS REQUIRED	COST 3kW .14p p.kW .42p	1kW IN 5kW OUT	1kW HEAT UP	CLIMACUBE HEAT HRS	COST 1kW .14p	TIME SAVING
2 PERSON	7	750	27.25	9	£3.78	5.45	£0.76	3.55	60%	£3.02	80%
	15	750	20.2	6.7	£2.81	4.04	£0.56	2.66	60%	£2.25	80%
3 PERSON	7	870	31.6	10.53	£4.41	6.32	£0.88	4.2	60%	£3.53	80%
	15	870	23.5	7.8	£3.29	4.7	£0.66	3.1	60%	£2.63	80%
4 PERSON	7	1200	43.6	14.5	£6.09	8.72	£1.22	5.78	60%	£4.87	80%
	15	1200	32.2	10.7	£4.50	6.46	£0.90	4.24	60%	£3.60	80%
6 PERSON	7	1300	47.2	15.7	£6.59	9.44	£1.32	6.26	60%	£5.27	80%
	15	1300	35	11.7	£4.91	7	£0.98	4.7	60%	£3.93	80%
7 PERSON	7	1400	50.8	16.9	£7.10	10.16	£1.42	6.74	60%	£5.68	80%
	15	1400	37.75	12.6	£5.29	7.55	£1.06	5.05	60%	£4.23	80%
7 PERSON	7	1500	54.5	18.2	£7.64	10.9	£1.53	5.1	60%	£5.19	80%
	15	1500	40.4	13.5	£5.67	8	£1.12	5.5	60%	£4.55	80%
8 PERSON	7	1600	58.1	19.4	£8.15	11.62	£1.63	7.8	60%	£6.52	80%
	15	1600	43.1	14.4	£6.05	8.6	£1.20	5.8	60%	£4.85	80%

The performance data contained within this document has been achieved by controlled testing of the Climacube Compact Heating System against a standard 3kW Heater Element installed in the Park Leisure Solutions Spa Range. The results illustrate the compared performances of heating contained water from a standing temperature of 7 degrees C and 15 degrees C to a operating temperature of 38 degrees C for the following: A current, standard specification, commercially available 3kW Heater Element and a Climacube Compact System. The performance data contained in this document is for comparison purposes only and does not form part of any contractual agreement. Copyright Park Leisure Solutions Limited 2019



PERFORMANCE

Climacube uses award winning, energy saving, worldwide patented thermodynamic technology. Designed to deliver fast heat up, lower running cost and reduced carbon footprint.



EASY INSTALLATION

Climacube can be installed from new or retro fitted to the Hot Tub, Spa, Swimspa or Pool, as a complete water heat solution, alternatively working in conjunction with the existing equipment.



SUPPLY & SERVICE

Fully tested and CE approved the Climacube Water Heating Systems include Europe wide products and parts warranty plus 12 month back to bench warranty for peace of mind.